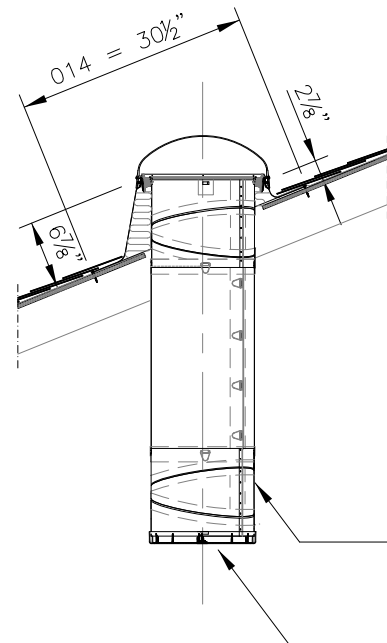
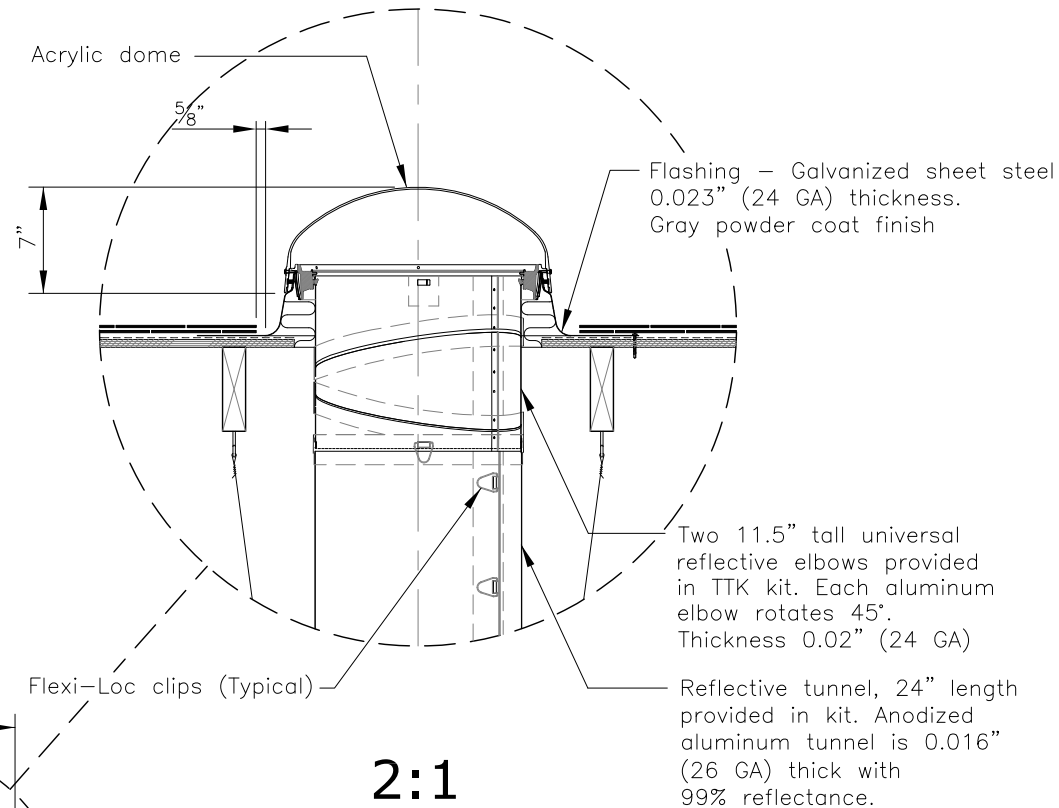
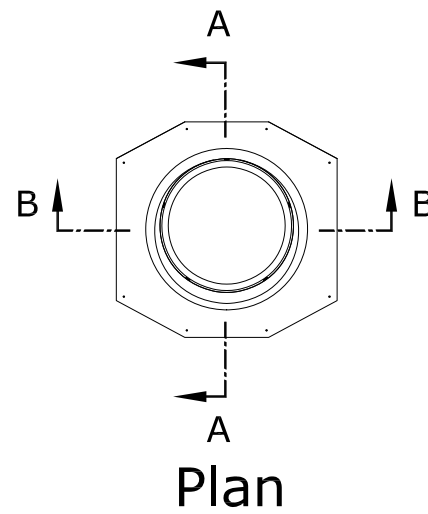


# General Notes

1. This drawing emphasizes the TMC pitched flashing VELUX SUN TUNNEL Skylight. It illustrates a general arrangement layout (plus recommendations) for a VELUX TMC installation in a 14–45 degree roof pitch application utilizing an open ceiling installation.
2. The architectural/structural design and specifications for the inclusion of a tubular daylighting device, such as the VELUX TMC, in any roofing/ceiling application is determined and provided by others. The design criteria includes, but is not limited to design loads, structural configurations, structural framing member sizes and material, architectural finishes and integration with the roofing/ceiling systems of the building. VELUX assumes no responsibility or liability in the design, construction and performance of a building structure by others.
3. Secure eye screws/bolts to the roofing structure and attach suspension wire to connect to clips at end of tunnel section.
4. Secure suspension wires to the ceiling adaptor assembly & eyebolts.
5. Dimensions shown are nominal, unless indicated otherwise.
6. Product specific dimensions are referenced in the TMC Product Data Sheet documentation.
7. VELUX recommends fastening TMC flashing to roof decking or roof framing.

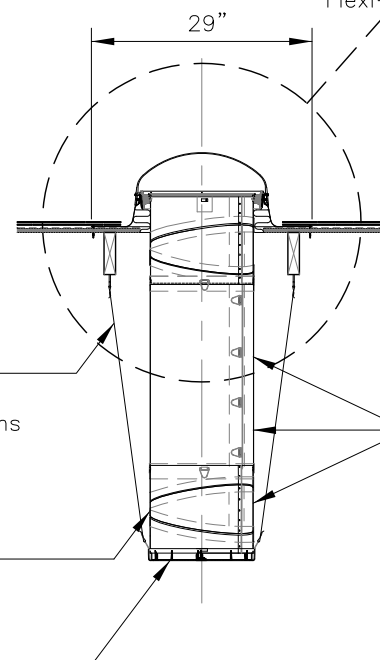


**Section A-A**

For suspension wire installation, See General Notes and SUN TUNNEL Suspension Wire Installation Instructions (ZTZ 203)

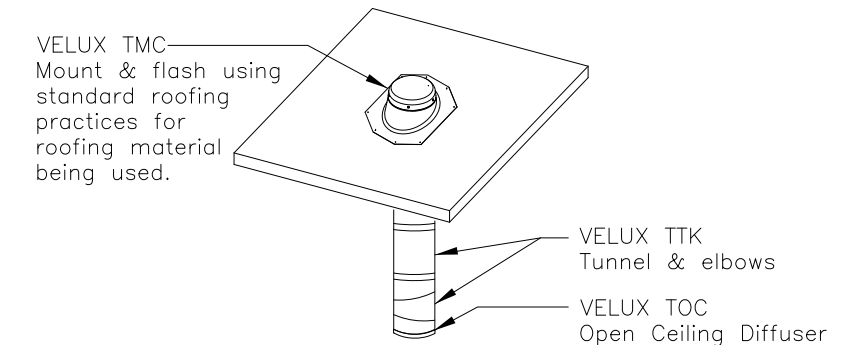
VELUX tape  
All joints must be sealed with tape, provided by VELUX

TOC – Open Ceiling Prismatic Diffuser



**Section B-B**

TMC 014 Components	Quantity
<b>TMC 014 0000</b> <ul style="list-style-type: none"> <li>Acrylic Dome</li> <li>Counter flashing assembly</li> <li>Hardware bag</li> <li>Option                             <ul style="list-style-type: none"> <li>TMC 014 1000 – Impact Polycarbonate dome</li> </ul> </li> </ul>	—
<b>Option: TTK 014</b> <ul style="list-style-type: none"> <li>24"/.61m Rigid tunnel</li> <li>(2) 12"/.30m Rigid elbows</li> <li>Tape for tunnel joints</li> <li>Hardware bag</li> </ul>	—
<b>TOC 014 0002 Open Ceiling Diffuser</b> <ul style="list-style-type: none"> <li>TOC 014 0002 – Prismatic diffuser</li> <li>Options                             <ul style="list-style-type: none"> <li>TOC 014 0001 – Frosted diffuser</li> <li>TOC 014 0003 – Fresnel diffuser</li> </ul> </li> </ul>	—
<b>Option: ZTZ 203</b> <ul style="list-style-type: none"> <li>Suspension Wire Kit</li> </ul>	—
<b>Option: ZTR 014 Rigid Tunnel Extensions</b> <ul style="list-style-type: none"> <li>ZTR 014 0002 24"/.61m Rigid tunnel</li> <li>ZTR 014 0004 48"/1.22m Rigid tunnel</li> <li>ZTR 014 0006 72"/1.83m Rigid tunnel</li> <li>ZTR 014 0012 144"/3.66m Rigid tunnel</li> <li>ZTR 014 0024 288"/7.32m Rigid tunnel</li> </ul>	—



## General Arrangement Layout

	VELUX 1418 Evans Pond Road Greenwood, SC 29649 1-800-88-VELUX www.VELUXUSA.com		Name JDH	Date Dec 2018
	Commercial SUN TUNNEL Skylight TMC 014 w/ TTK 014, TOC 014 (TMC 014 0002TO/TMC 014 1002TO)		Checked by JL,CJ	Dec 2018
Drawing No.			TMC 014-01-1218	

This drawing is an instrument of service and is provided for informational use only.