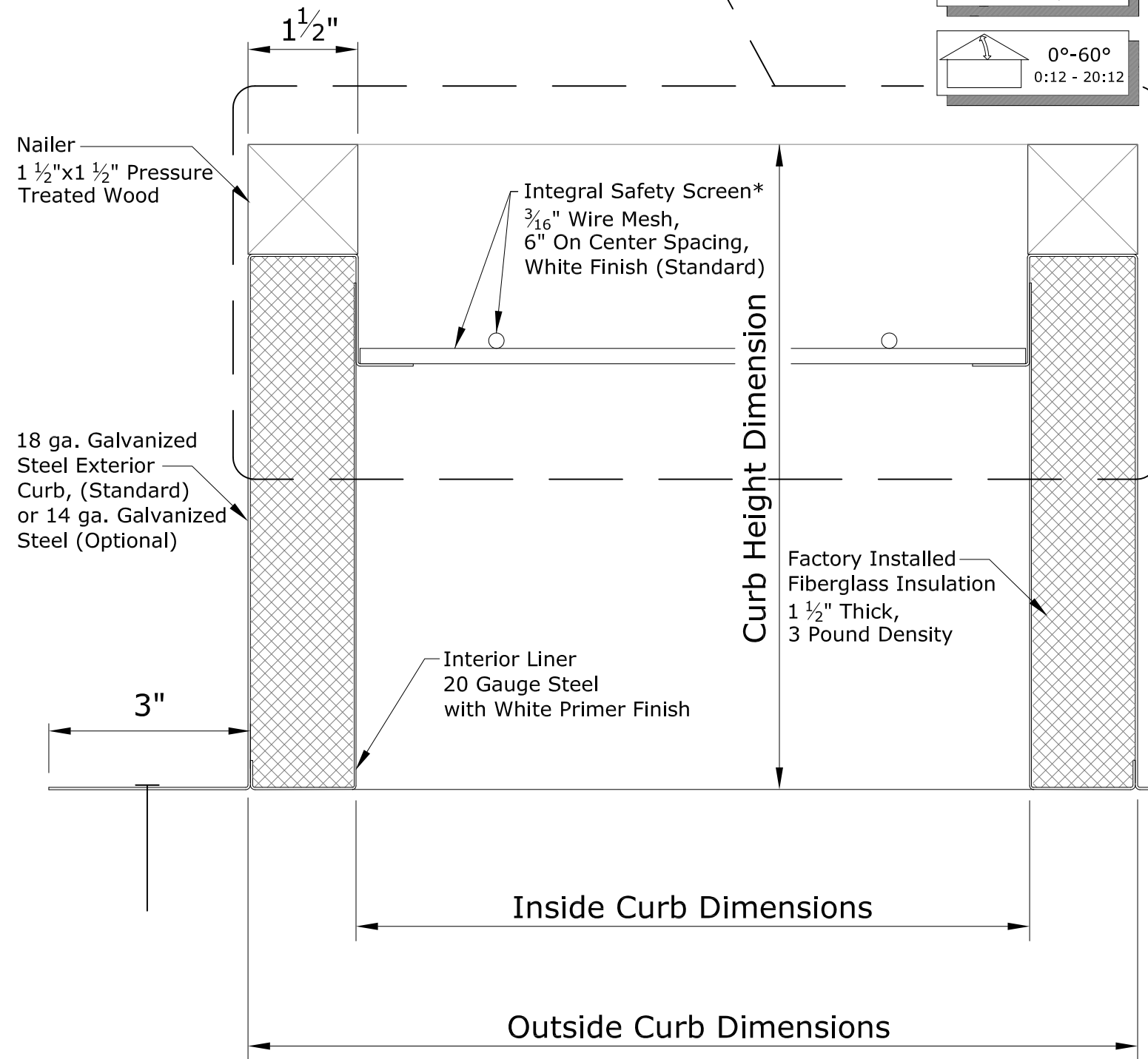


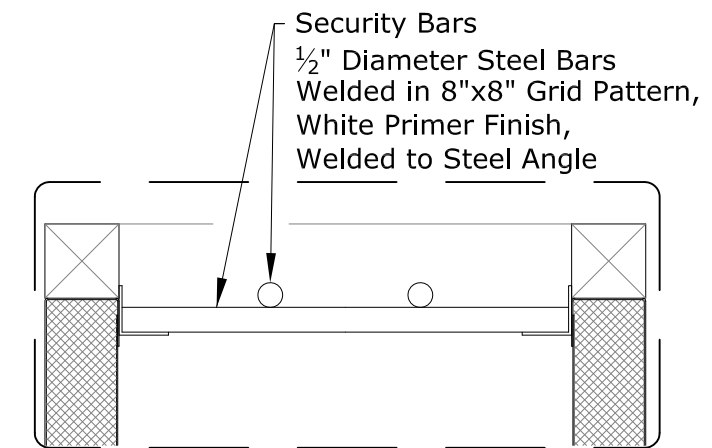
# CCA3 Curb with (Optional) Security Bars



# CCA3 Curb Quantities, Sizing & Options

Quantity	Size	Dimensions				Options			
		Inside Curb	Outside Curb	Curb Height				14 ga. Steel Curb	No Safety Screen*
9"	12"			16"	18"				
	2448	24"x48"	27"x51"						
	2496	24"x96"	27"x99"						
	2412	24"x120"	27"x123"						
	3636	36"x36"	39"x39"						
	3660	36"x60"	39"x63"						
	3672	36"x72"	39"x75"						
	3696	36"x96"	39"x99"						
	3612	36"x120"	39"x123"						
	4848	48"x48"	51"x51"						
	4860	48"x60"	51"x63"						
	4872	48"x72"	51"x75"						
	4896	48"x96"	51"x99"						
	4812	48"x120"	51"x123"						
	6060	60"x60"	63"x63"						
	6072	60"x72"	63"x75"						
	6096	60"x96"	63"x99"						
	6012	60"x120"	63"x123"						
	7272	72"x72"	75"x75"						

\*Note: The CCA3 CURB is normally furnished with an Integral Safety Screen as the Standard offering. If no Safety Screen is required, it must be specified in the Options.




CCA3 Curb with (Optional) Security Bars

## GENERAL NOTES

1. This drawing emphasizes the VELUX CCA3 Curb. This presentation illustrates a basic cross section for a VELUX CCA3 Curb utilized with a VELUX Commercial Dome installation in a 0-60 degree roof pitch application.
2. The architectural/structural design and specifications for the inclusion of a curb, such as the VELUX CCA3, in any roofing/ceiling application is determined and provided by others. The design criteria includes, but is not limited to design loads, structural configurations, structural framing member sizes and material, architectural finishes and integration with the roofing/ceiling systems of the building. VELUX recommends compliance by all designers and installers with all local and industry specific building codes and guidelines. VELUX assumes no responsibility or liability in the design, construction and performance of a building structure by others.

This drawing is an instrument of service and is provided for informational use only.



Sky-Global Product Management

VELUX  
1418 Evans Pond Road  
Greenwood, SC 29649  
1-800-88-VELUX  
www.VELUXUSA.com

**CCA3 Curb**