

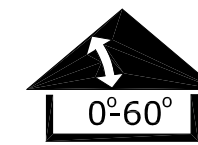
General Notes

1. This drawing emphasizes the TZR, TZRL & TZRQ VELUX Sun Tunnel Skylights. It illustrates a general arrangement layout (plus recommendations) for a VELUX TZR installation in a 0–60 degree roof pitch application, and the VELUX TZRL & VELUX TZRQ in a 10–60 degree roof application utilizing a hard ceiling installation.

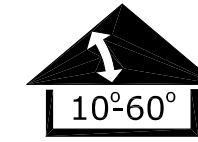
2. The architectural/structural design and specifications for the inclusion of a tubular daylighting device, such as the VELUX TZR/TZRL/TZRQ 014, in any roofing/ceiling application is determined and provided by others. The design criteria includes, but is not limited to design loads, structural configurations, structural framing member sizes and material, architectural finishes and integration with the roofing/ceiling systems of the building. VELUX assumes no responsibility or liability in the design, construction and performance of a building structure by others.

3. Dimensions shown are nominal, unless indicated otherwise.

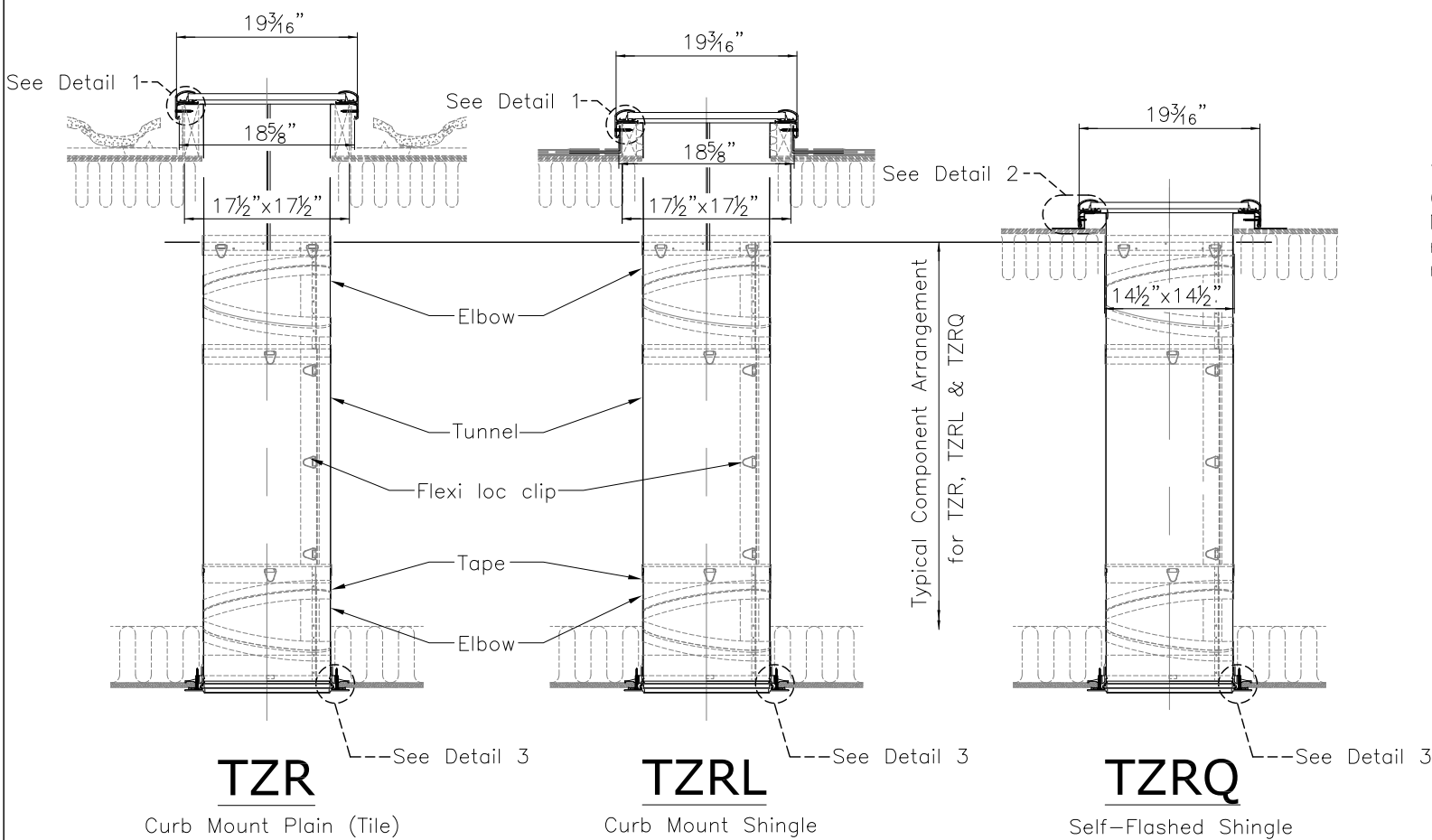
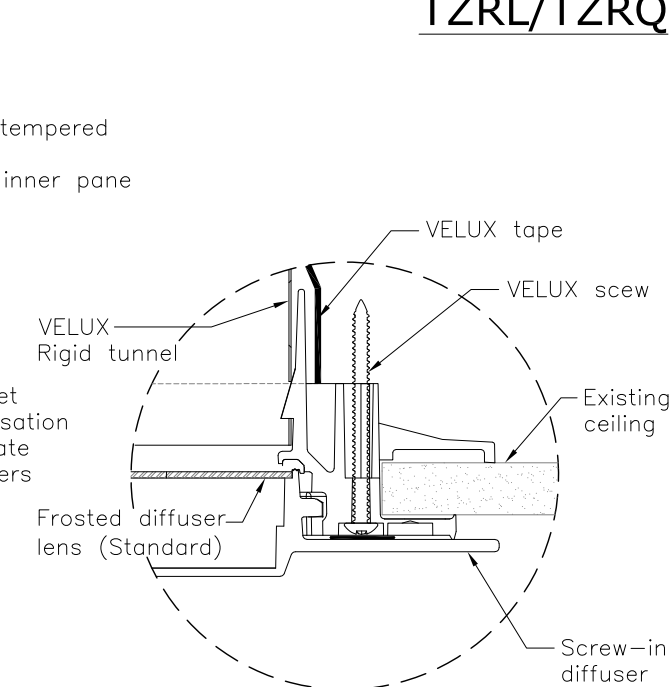
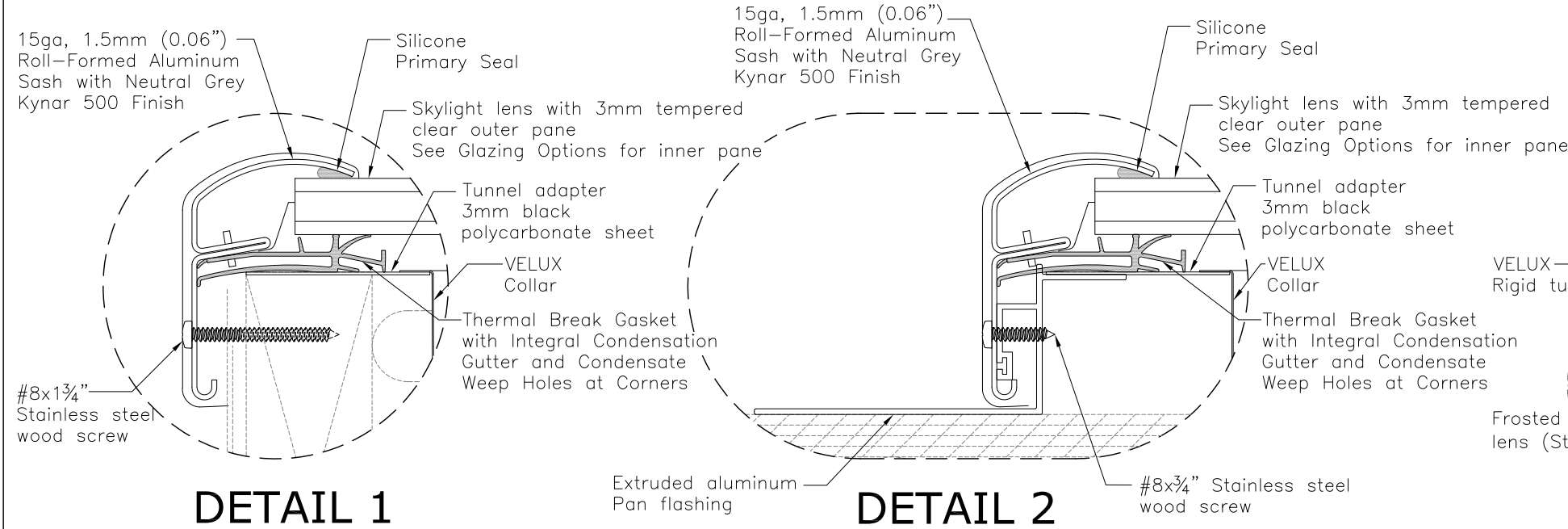
4. VELUX recommends fastening TZR/TZRL/TZRQ flashing to roof decking or roof framing.



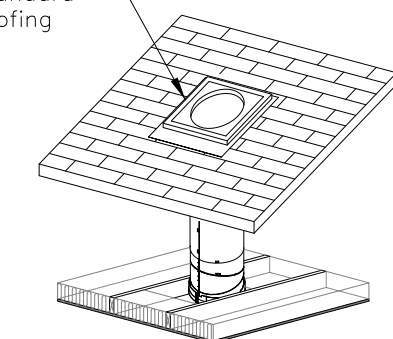
TZR



TZRL/TZRQ



VELUX TZRL 014
(TZR 014 & TZRQ 014, Similar)
Mount & flash using standard roofing practices for roofing material being used.



General Arrangement Layout

TZR 014

- Frame, sash, pane assembly
- Top collar (16"/.4m)

TZRL 014

- Frame, sash, pane assembly
- ECW flashing, underlayment
- Top collar (16"/.4m)

TZRQ 014

- Frame, sash, pane assembly
- Pan flashing
- Top collar (4"/.1m)

Common Components included with all TZR/TZRL/TZRQ 014

- Tunnel adapter
 - 24"/.61m Rigid tunnel
 - (2) 11.5"/.29m Rigid elbows
 - Tape for tunnel joints
 - Hardware bag
 - Ceiling ring assembly with crackle over frosted diffuser
 - Gasket material for diffuser
 - Hardware bag
 - Options
 - ZTC 014 0002US-Prismatic diffuser
 - ZTC 014 0003US-Fresnel diffuser
-

Option: ZTR 014 Rigid Tunnel Extensions

- ZTR 014 0002 24"/.61m Rigid tunnel
- ZTR 014 0004 48"/1.22m Rigid tunnel
- ZTR 014 0006 72"/1.83m Rigid tunnel
- ZTR 014 0012 144"/3.66m Rigid tunnel
- ZTR 014 0024 288"/7.32m Rigid tunnel

Glazing Options:

- 1A00 Impact-Clear 3 mm tempered outer pane with 6.9 mm laminated inner pane
- 2A00 Wildfire-Clear 3 mm tempered outer pane with 7 mm diamond wire inner pane

Sky-Global Product Management

VELUX
1418 Evans Pond Road
Greenwood, SC 29649
1-800-88-VELUX
www.VELUXUSA.com

TZR 014, TZRL 014 & TZRQ 014 - Residential Sun Tunnels