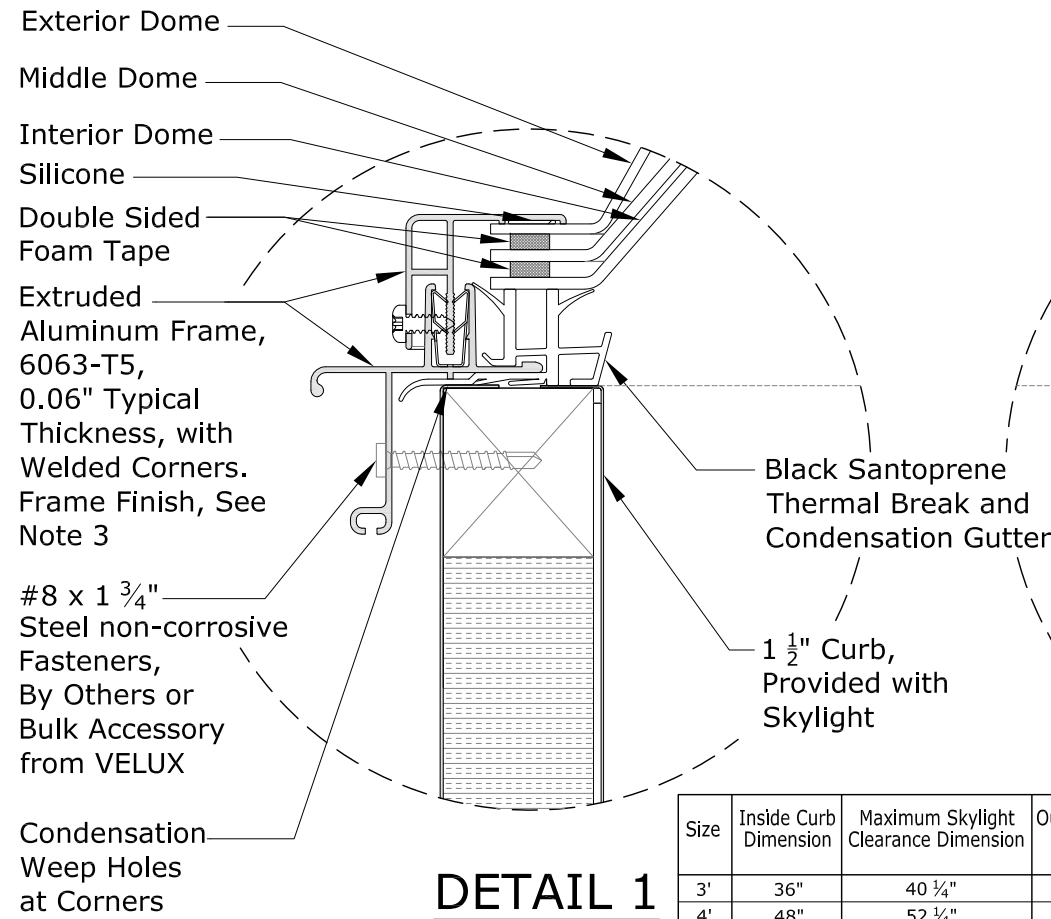


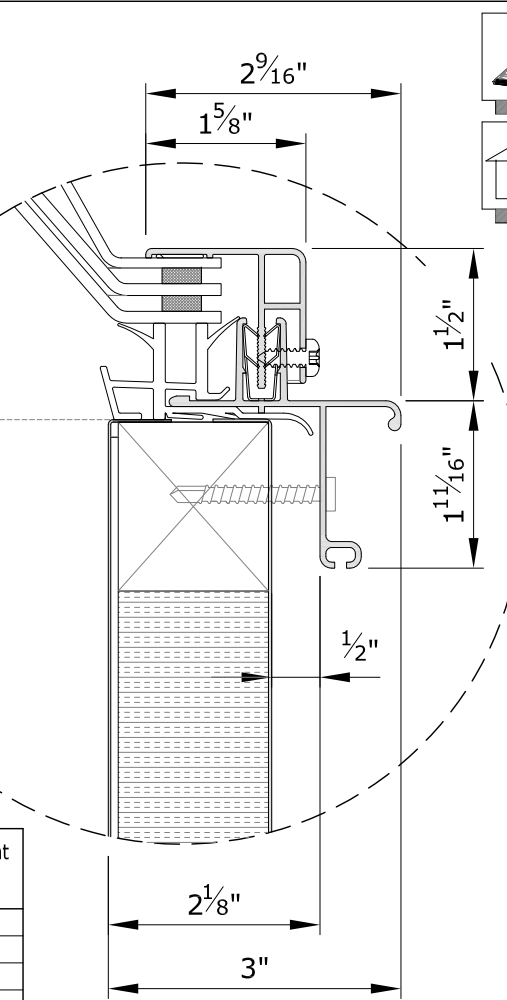
Plan



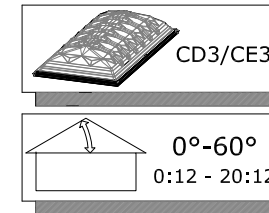
DETAIL 1

Size	Inside Curb Dimension	Maximum Skylight Clearance Dimension	Outside Skylight Dimension
3'	36"	40 1/4"	41 7/8"
4'	48"	52 1/4"	53 7/8"
5'	60"	64 1/4"	65 7/8"
6'	72"	76 1/4"	77 7/8"
8'	96"	100 1/4"	101 7/8"
10'	120"	124 1/4"	125 7/8"

Black Santoprene Thermal Break and Condensation Gutter  
1 1/2" Curb, Provided with Skylight



DETAIL 2



# Dynamic Triple Dome Skylight

## Dynamic Triple Dome Options

Size - Width x Length (using Inside Curb Dimensions)	Quantity	Dome Material*	Dome Description and Designation	Max size
		LuxGuard 0.118 PC over 0.118 PC over 0.118 PC	Clear Smooth/Clear Smooth/White Prismatic (3P1P1C2) Clear Smooth/Clear Smooth/Clear Prismatic (3P1P1C1)	5x10
			Clear Smooth/Clear Smooth/White Smooth (3P1P1P2)	6x10
		Infrared 0.118 EcoShade over 0.118 PC over 0.118 PC	EcoShade/Clear Smooth/Clear Prismatic (3I2P1C1)	5x10
			EcoShade/Clear Smooth/Clear Smooth (3I2P1P1)	6x6 Only

\*Note: Dome Material thickness is sheet material's thickness prior to the manufacturing process.

## Frame Finish Options

- Mill Finish (CD3)  Neutral Gray Powder Coat (CE3)

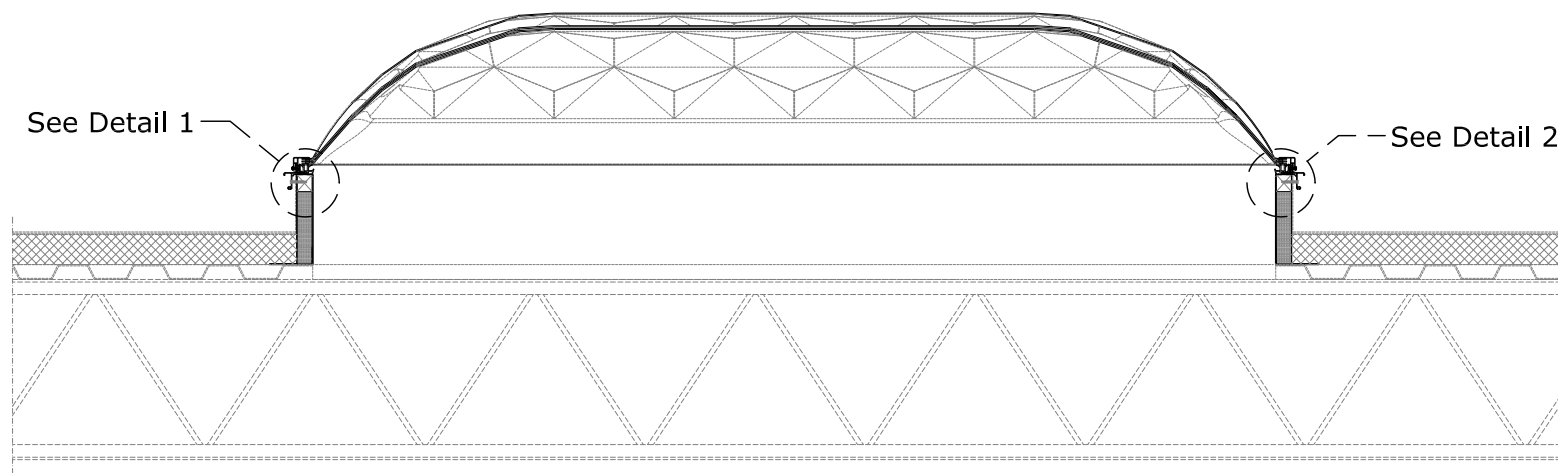
## Curb Options

### Standard Curb Types

- CCA3 (Steel, Double Wall Insulated, 18 Ga. & 14 Ga.)  
 CCA6 (Steel, Single Wall Un-insulated, 18 Ga. & 14 Ga.)  
 CCAM (Aluminum, Double Wall Insulated)  
 CCAN (Aluminum, Single Wall Insulated)

### Standard Curb Heights

- 9"  
 12"  
 16"  
 18" (Available for CCA3 & CCA6 Curb Types only)

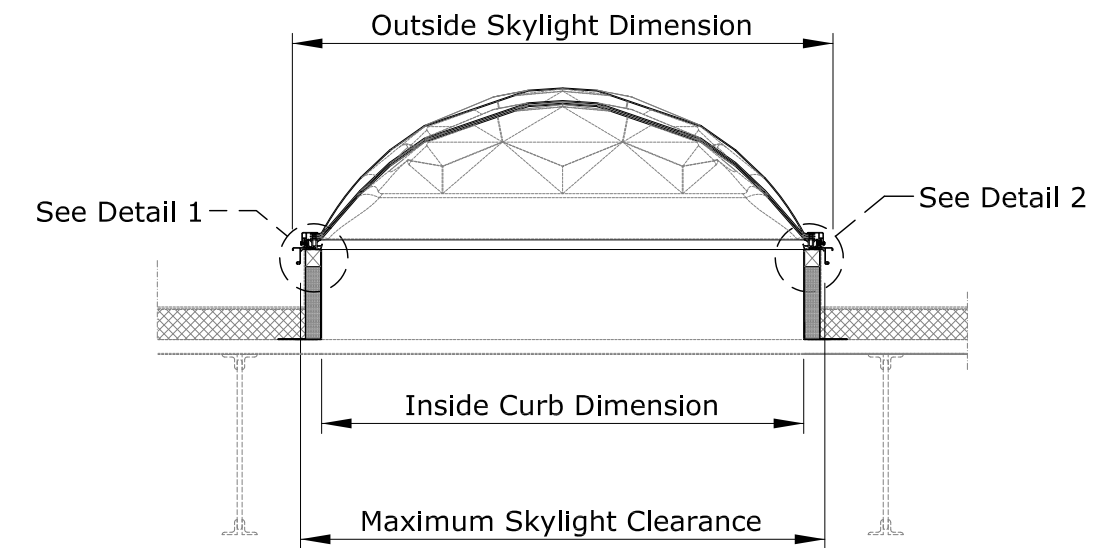


## GENERAL NOTES

## SECTION A-A

- This drawing emphasizes the VELUX CD3/CE3 Dynamic Dome Skylight. It illustrates a general arrangement layout (plus recommendations) for a VELUX CD3/CE3 installation in a 0-60 degree roof pitch application. The CD3/CE3 skylight installs directly on site built or prefabricated curbs.
- The architectural/structural design and specifications for the inclusion of a commercial skylight, such as the VELUX CD3/CE3, in any roofing/ceiling application is determined and provided by others. The design criteria includes, but is not limited to design loads, structural configurations, structural framing member sizes and material, architectural finishes and integration with the roofing/ceiling systems of the building. VELUX recommends compliance by all designers and installers with all local and industry specific building codes and guidelines. VELUX assumes no responsibility or liability in the design, construction and performance of a building structure by others.
- Model CD3 Frame is mill finish. Model CE3 Frame is powder coated neutral gray.

This drawing is an instrument of service and is provided for informational use only.



## SECTION B-B



Sky-Global Product Management

VELUX  
1418 Evans Pond Road  
Greenwood, SC 29649  
1-800-88-VELUX  
www.VELUXUSA.com

## Dynamic Triple Dome Skylight