

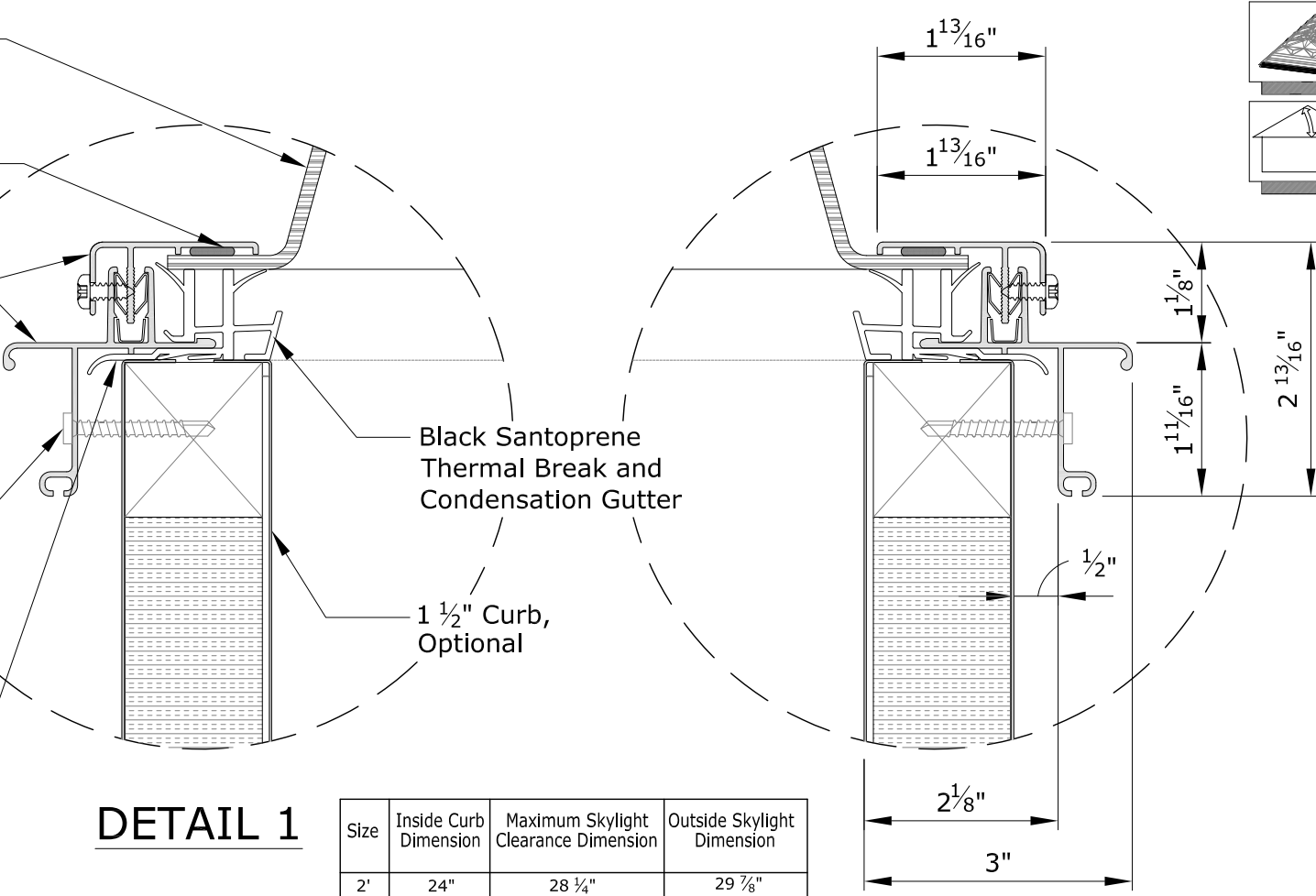
Exterior Dome

Silicone

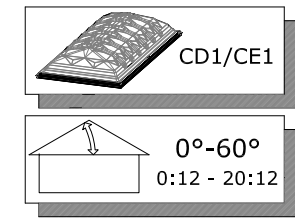
Extruded Aluminum Frame, 6063-T5, 0.06" Typical Thickness, with Welded Corners. Frame Finish, See Note 3

#8 x 1 3/4" Steel non-corrosive Fasteners, By Others or Bulk Accessory from VELUX

Condensation Weep Holes at Corners



Size	Inside Curb Dimension	Maximum Skylight Clearance Dimension	Outside Skylight Dimension
2'	24"	28 1/4"	29 7/8"
3'	36"	40 1/4"	41 7/8"
4'	48"	52 1/4"	53 7/8"
5'	60"	64 1/4"	65 7/8"
6'	72"	76 1/4"	77 7/8"
8'	96"	100 1/4"	101 7/8"
10'	120"	124 1/4"	125 7/8"



Dynamic Single Dome Skylight

Dynamic Single Dome Options				
Size - Width x Length (Using Inside Curb Dimensions)	Quantity	Dome Material*	Dome Description and Designation	
		LuxGuard 0.150	White Smooth (4P2)	Sizes larger than 4x8
		0.150	Clear Smooth (4P1)	
		LuxGuard 0.118	White Smooth (3P2)	Max size 4x8
		0.118	Clear Smooth (3P1)	

*Note: Dome Material thickness is sheet material's thickness prior to the manufacturing process.

Frame Finish Options

Mill Finish (CD1) Neutral Gray Powder Coat (CE1)

Curb Options

Standard Curb Types

CCA3 (Steel, Double Wall Insulated, 18 Ga. & 14 Ga.)

CCA6 (Steel, Single Wall Un-insulated, 18 Ga. & 14 Ga.)

CCAM (Aluminum, Double Wall Insulated)

CCAN (Aluminum, Single Wall Insulated)

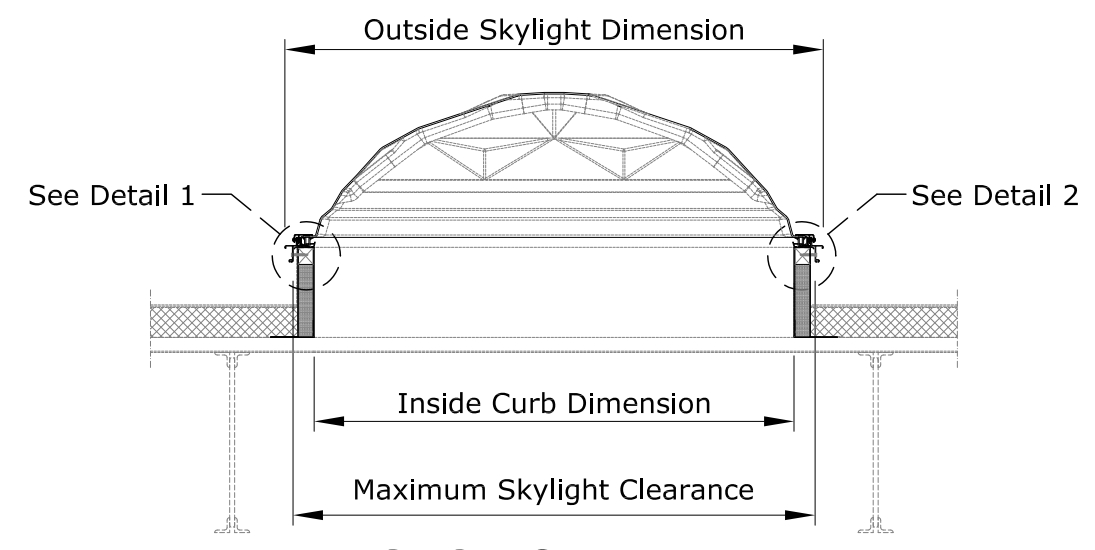
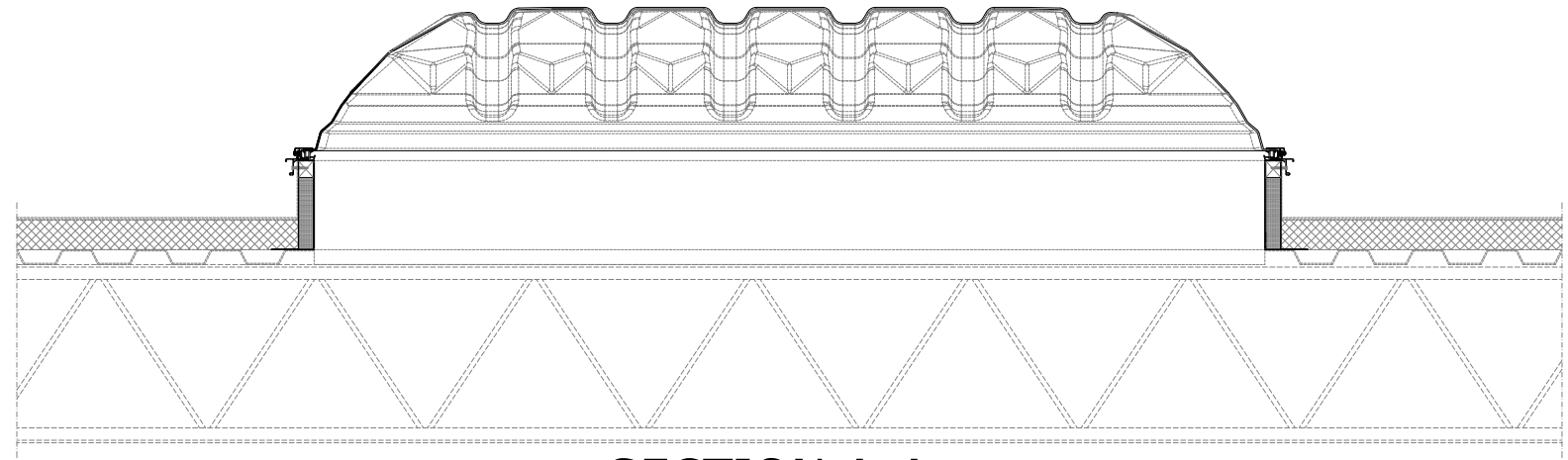
Standard Curb Heights

9"

12"

16"

18" (Available for CCA3 & CCA6 Curb Types only)



GENERAL NOTES

1. This drawing emphasizes the VELUX CD1/CE1 Dynamic Dome Skylight. It illustrates a general arrangement layout (plus recommendations) for a VELUX CD1/CE1 installation in a 0-60 degree roof pitch application. The CD1/CE1 skylight installs directly on site built or prefabricated curbs.
2. The architectural/structural design and specifications for the inclusion of a commercial skylight, such as the VELUX CD1/CE1, in any roofing/ceiling application is determined and provided by others. The design criteria includes, but is not limited to design loads, structural configurations, structural framing member sizes and material, architectural finishes and integration with the roofing/ceiling systems of the building. VELUX recommends compliance by all designers and installers with all local and industry specific building codes and guidelines. VELUX assumes no responsibility or liability in the design, construction and performance of a building structure by others.
3. Model CD1 Frame is mill finish. Model CE1 Frame is powder coated neutral gray.

This drawing is an instrument of service and is provided for informational use only.

VELUX
Sky-Global Product Management

VELUX
1418 Evans Pond Road
Greenwood, SC 29649
1-800-88-VELUX
www.VELUXUSA.com

Dynamic Single Dome Skylight