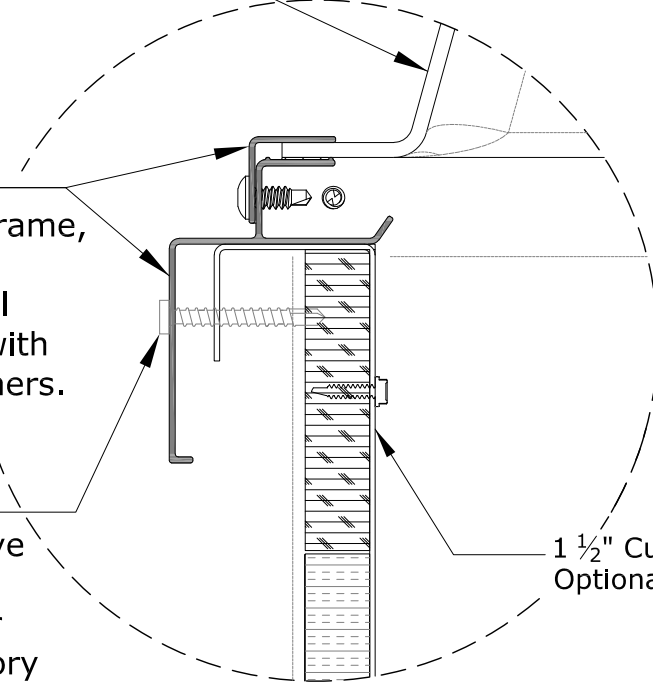


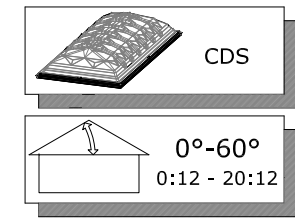
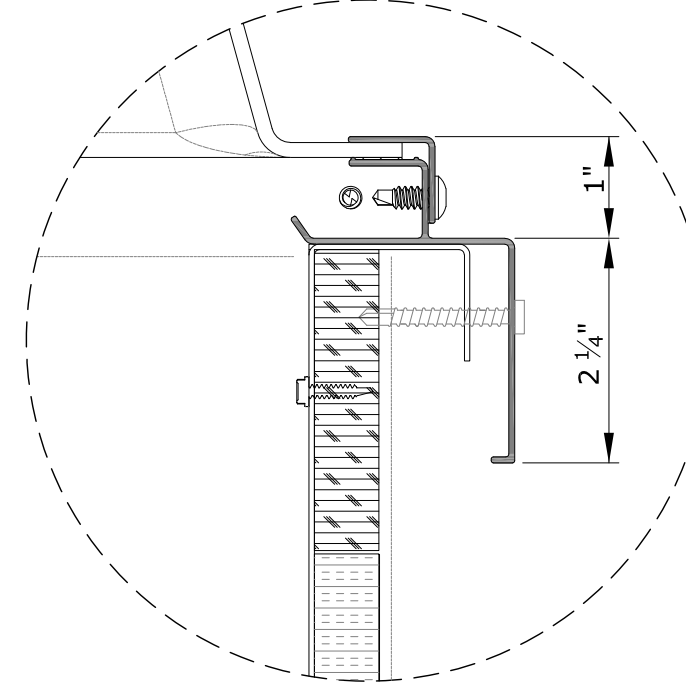
Single Dome
0.118" LuxGuard
White Polycarbonate

Extruded
Aluminum Frame,
6063-T5,
0.06" Typical
Thickness, with
Welded Corners.
Mill Finish

#8 x 1 3/4"
Non Corrosive
Fasteners,
By Others or
Bulk Accessory
from VELUX



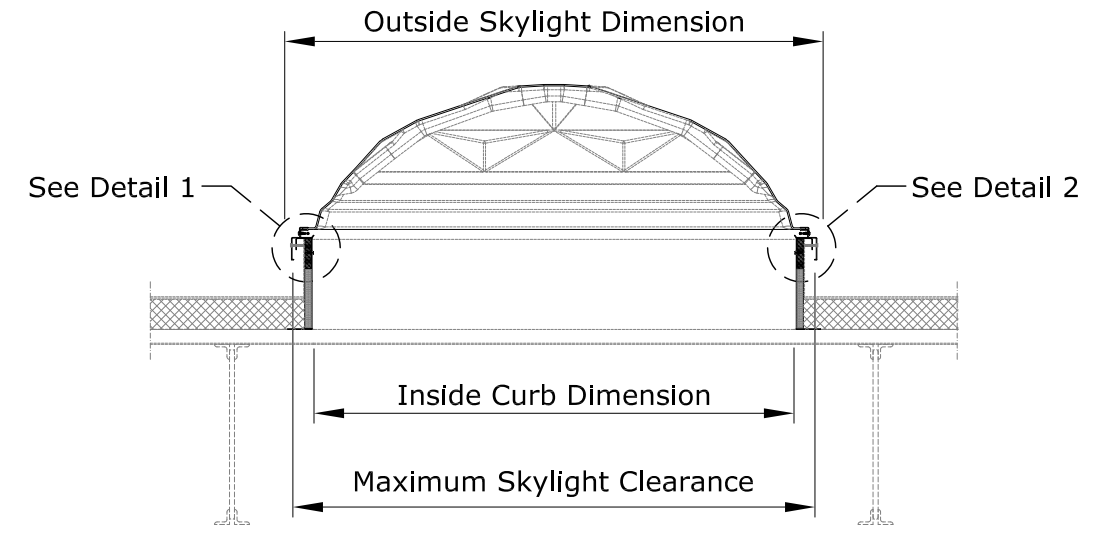
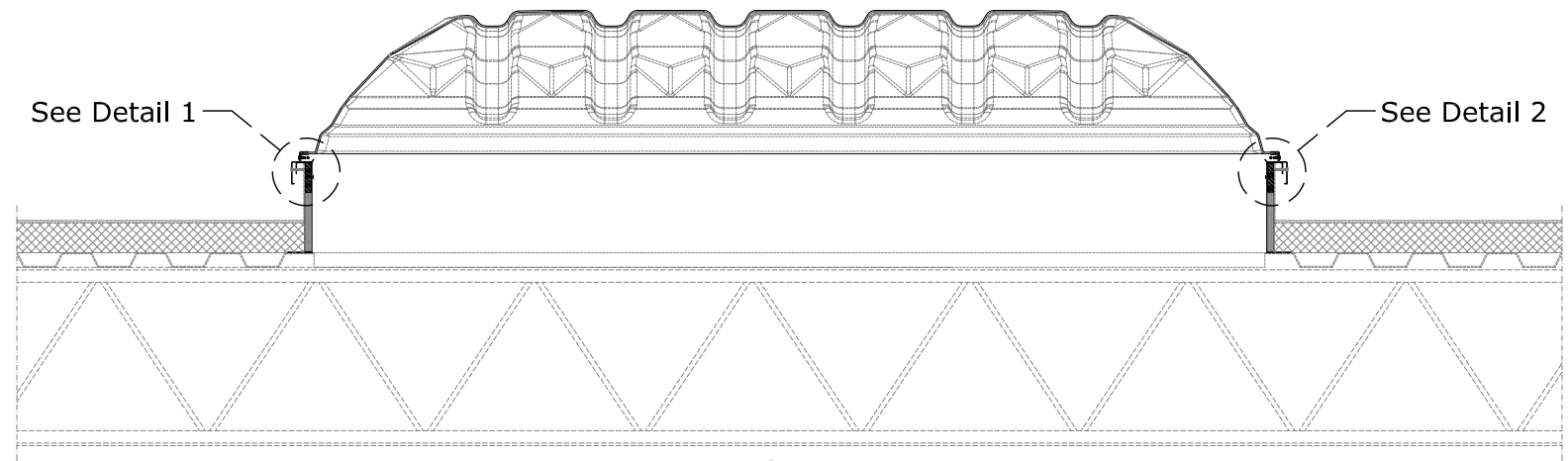
1 1/2" Curb,
Optional



CDS Dome Skylight

CDS Dome Sizes				
Size - Width x Length (using Inside Curb Dimensions)	Quantity	Inside Curb Dimension	Maximum Skylight Clearance Dimension	Outside Skylight Dimension
4x4		48"x48"	52 1/4" x 52 1/4"	53 7/8" x 53 7/8"
4x8		48"x96"	52 1/4" x 100 1/4"	53 7/8" x 101 7/8"


Curb Options			
Standard Curb Types			
<input type="checkbox"/> CCA3	(Steel, Double Wall Insulated,	<input type="checkbox"/> 18 Ga. &	<input type="checkbox"/> 14 Ga.)
<input type="checkbox"/> CCA6	(Steel, Single Wall Un-Insulated,	<input type="checkbox"/> 18 Ga. &	<input type="checkbox"/> 14 Ga.)
<input type="checkbox"/> CCAM	(Aluminum, Double Wall Insulated)		
<input type="checkbox"/> CCAN	(Aluminum, Single Wall Insulated)		
Standard Curb Heights			
<input type="checkbox"/> 9"			
<input type="checkbox"/> 12"			
<input type="checkbox"/> 16"			
<input type="checkbox"/> 18"	(Available for CCA3 & CCA6 Curb Types only)		



GENERAL NOTES

1. This drawing emphasizes the VELUX CDS Dynamic Dome Skylight. It illustrates a general arrangement layout (plus recommendations) for a VELUX CDS installation in a 0-60 degree roof pitch application. The CDS skylight installs directly on site built or prefabricated curbs.
2. The architectural/structural design and specifications for the inclusion of a commercial skylight, such as the VELUX CDS, in any roofing/ceiling application is determined and provided by others. The design criteria includes, but is not limited to design loads, structural configurations, structural framing member sizes and material, architectural finishes and integration with the roofing/ceiling systems of the building. VELUX recommends compliance by all designers and installers with all local and industry specific building codes and guidelines. VELUX assumes no responsibility or liability in the design, construction and performance of a building structure by others.
3. Model CDS Frame is mill finish.

This drawing is an instrument of service and is provided for informational use only.



Sky-Global Product Management

VELUX
1418 Evans Pond Road
Greenwood, SC 29649
1-800-88-VELUX
www.VELUXUSA.com

CDS Dome Skylight