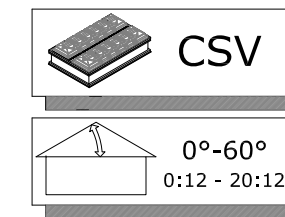


**SECTION A-A**



# Double Dynamic Dome Smoke Vent

## Double Dynamic Dome Smoke Vent Options

Size (Inside Curb Dimensions)	Quantity	Dome Material*	Dome Description and Designation	Max size
48" x 96"		LuxGuard 0.118 0.118	White Smooth (DP2) Clear Smooth (DP1)	4x8

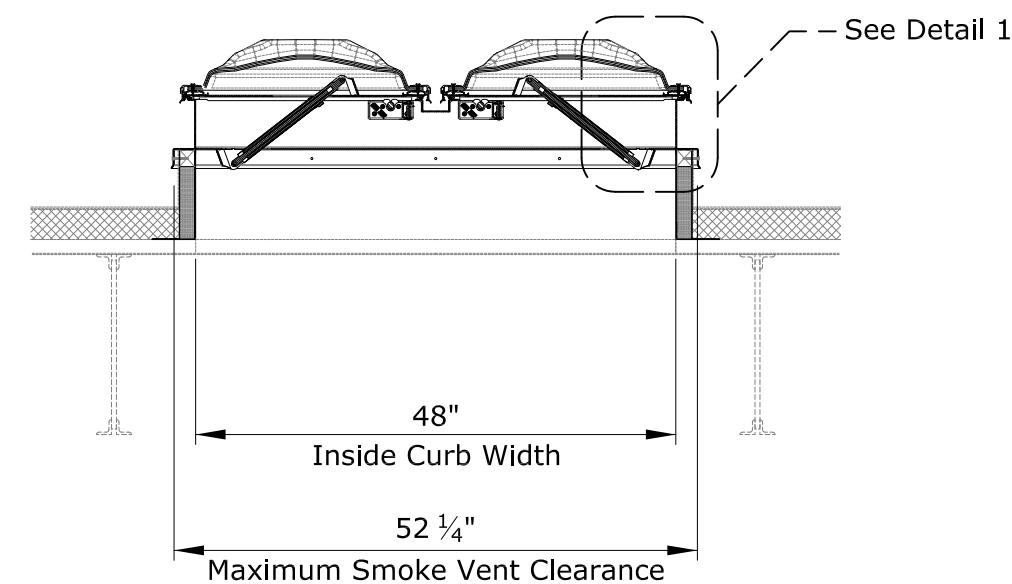
\*Note: Dome Material thickness is sheet material's thickness prior to the manufacturing process.

## Frame Finish Options

Mill Finish (CSV)

## Fusible Link Temperature

- |                                    |                                    |
|------------------------------------|------------------------------------|
| <input type="checkbox"/> FA = 165F | <input type="checkbox"/> FE = 360F |
| <input type="checkbox"/> FA = 212F | <input type="checkbox"/> FF = 370F |
| <input type="checkbox"/> FC = 280F | <input type="checkbox"/> FG = 386F |
| <input type="checkbox"/> FD = 350F | <input type="checkbox"/> FH = 450F |



**SECTION B-B**

## GENERAL NOTES

1. This drawing emphasizes the CSV Double Dynamic Dome Smoke Vent. It illustrates a general arrangement layout (plus recommendations) for a CSV installation in a 0-60 degree roof pitch application. The CSV Double Dynamic Dome Smoke Vent installs directly on site built or prefabricated curbs.
2. The architectural/structural design and specifications for the inclusion of a commercial smoke vent, such as the CSV Double Dynamic Dome Smoke Vent, in any roofing/ceiling application is determined and provided by others. The design criteria includes, but is not limited to design loads, structural configurations, structural framing member sizes and material, architectural finishes and integration with the roofing/ceiling systems of the building. VELUX recommends compliance by all designers and installers with all local and industry specific building codes and guidelines. VELUX assumes no responsibility or liability in the design, construction and performance of a building structure by others.
3. The CSV Frame is mill finish.

This drawing is an instrument of service and is provided for informational use only.



VELUX  
1418 Evans Pond Road  
Greenwood, SC 29649  
1-800-88-VELUX  
www.VELUXUSA.com

## Double Dynamic Dome Smoke Vent