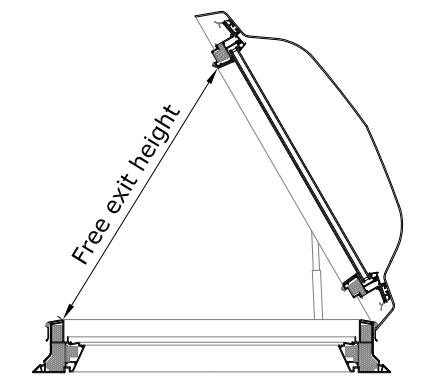


CROSS SECTION

PRODUCT DIMENSIONS

METRIC UNITS (MILLIMETERS)						IMPERIAL UNITS (INCHES)					
Size	Sash Aperture	Linings Groove	Roof Opening	Exterior Frame	Free Exit Height	Size	Sash Aperture	Linings Groove	Roof Opening	Exterior Frame	Free Exit Height
090120	735 x 1035	859 x 1159	900 x 1200	1080 x 1380	1187	090120	28 15/16" x 40 3/4"	33 13/16" x 45 5/8"	35 7/16" x 47 1/4"	42 1/2" x 54 3/8"	46 5/8"
100100	835 x 835	959 x 959	1000 x 1000	1180 x 1180	987	100100	32 7/8" x 32 7/8"	37 3/4" x 37 3/4"	39 3/8" x 39 3/8"	46 1/2" x 46 1/2"	38 3/4"
120120	1035 x 1035	1159 x 1159	1200 x 1200	1380 x 1380	1187	120120	40 3/4" x 40 3/4"	45 5/8" x 45 5/8"	47 1/4" x 47 1/4"	54 3/8" x 54 3/8"	46 5/8"



Free exit height when fully opened

DETAIL 2

GENERAL NOTES

1. This drawing emphasizes the VELUX CXP + ISD 1093 Roof Window. This presentation illustrates a basic cross section for a VELUX CFP Roof Window utilized with a VELUX ISD 1093 Top Unit Assembly installation in a 0-15 degree roof pitch application.
2. The architectural/structural design and specifications for the inclusion of a roof window, such as the VELUX CFP, in any roofing/ceiling application is determined and provided by others. The design criteria includes, but is not limited to design loads, structural configurations, structural framing member sizes and material, architectural finishes and integration with the roofing/ceiling systems of the building. VELUX recommends compliance by all designers and installers with all local and industry specific building codes and guidelines. VELUX assumes no responsibility or liability in the design, construction and performance of a building structure by others.

This drawing is an instrument of service and is provided for informational use only.

VELUX
 1418 Evans Pond Road
 Greenwood, SC 29649
 1-800-88-VELUX
 www.VELUXUSA.com

CXP + ISD 1093 Roof Window