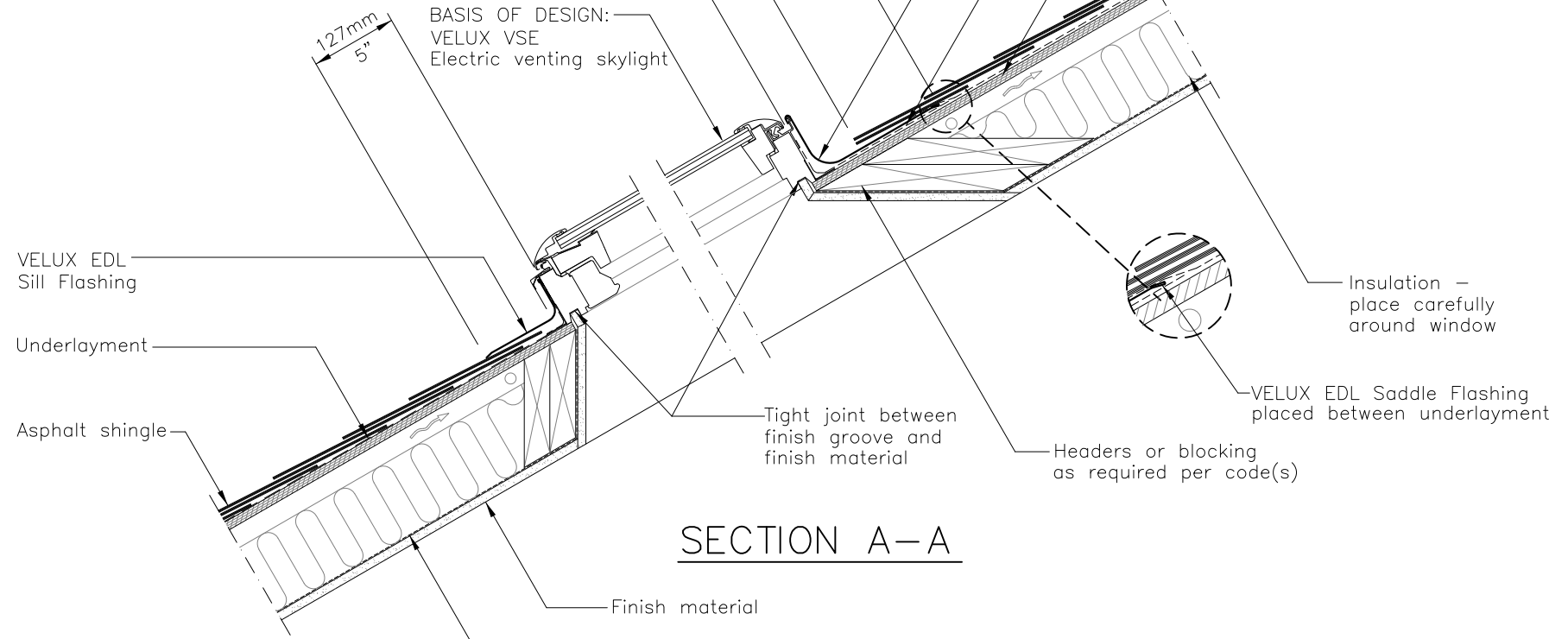
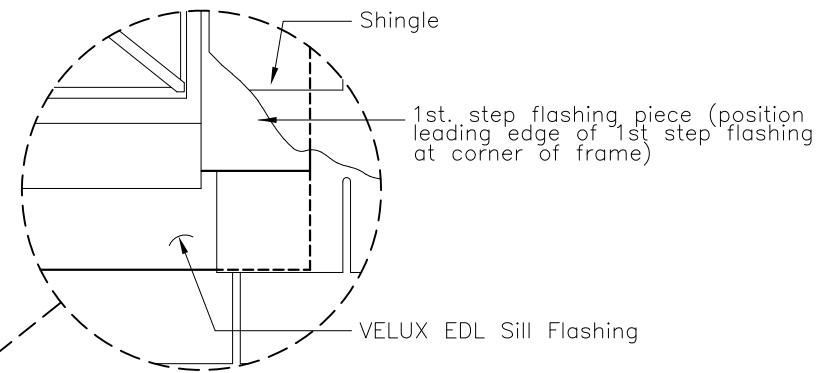


ELEVATION



SECTION A-A

BASIS OF DESIGN:
VELUX VSE
Electric venting skylight

VELUX EDL
Step flashing

Sheathing

Ventilation

Insulation

Vapor barrier
Note 3

Underlayment

6 mm Max.
1/4" Max.

VELUX EDL
Step flashing

Asphalt
shingle

Underlayment
Note 1 & 3

Tight joint
between finish
groove and
finish material.

Finish material

SECTION B-B

GENERAL NOTES

1. Wrap frame in ZOZ 216 adhesive underlayment provided with VELUX flashing.
2. Underlayment to be folded up against all sides of frame.
3. Vapor barrier should be used to avoid moisture.



VELUX
1418 Evans Pond Road
Greenwood, SC 29649
1-800-88-VELUX
www.VELUXUSA.com

VSE-Residential/Commercial
Roof Section (Cathedral Ceiling
with Asphalt Shingles)

	Name	Date
Drawn by	JDH	July 2020
Checked by	WQ, JL	July 2020
Drawing No.		

VSE-01-0720

This drawing is an instrument of service and is provided for informational use only.

