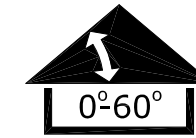
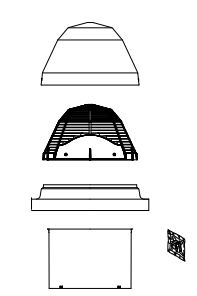
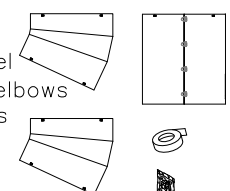

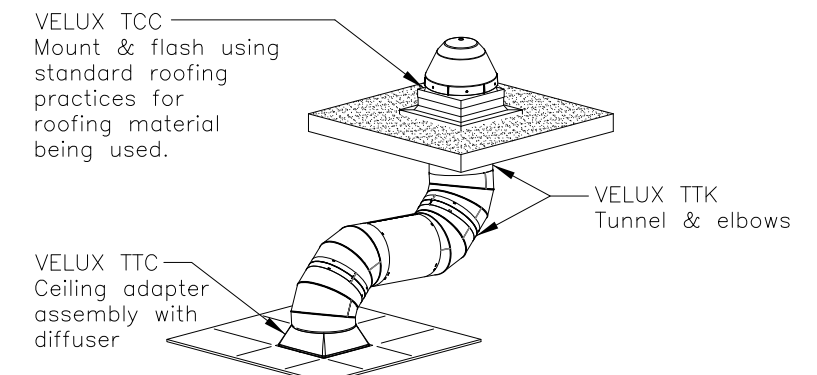
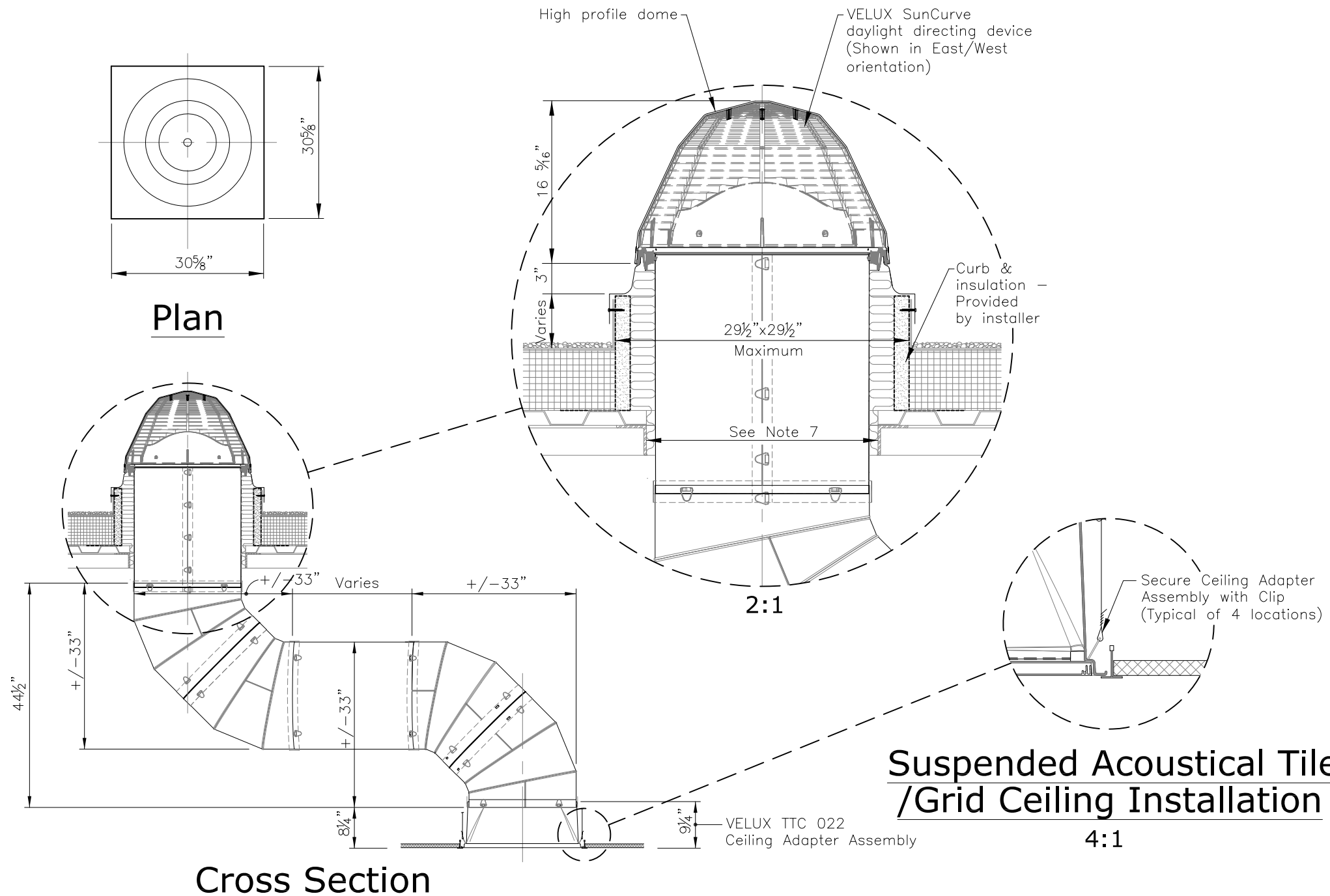


# General Notes

1. This drawing emphasizes the TCC curb flashed VELUX SUN TUNNEL Skylight. It illustrates a general arrangement layout (plus recommendations) for a VELUX TCC installation in a 0-60 degree roof pitch application utilizing either a suspended acoustical tile or grid ceiling installation.
2. The architectural/structural design and specifications for the inclusion of a tubular daylighting device, such as the VELUX TCC, in any roofing/ceiling application is determined and provided by others. The design criteria includes, but is not limited to design loads, structural configurations, structural framing member sizes and material, architectural finishes and integration with the roofing/ceiling systems of the building. VELUX assumes no responsibility or liability in the design, construction and performance of a building structure by others.
3. Secure eye screws/bolts to the roofing structure and attach suspension wire to connect to clips at end of tunnel section.
4. Secure suspension wires to the ceiling adaptor assembly & eyebolts.
5. Dimensions shown are nominal, unless indicated otherwise.
6. Product specific dimensions are referenced in the TCC Product Data Sheet documentation.
7. The minimum commercial roof opening for tunnel installation is 22"x22" for straight tunnels. Some tunnel configurations may require a larger opening, not to exceed 26½"x26½"



TCC 022 Components	Quantity
<b>TCC 022 3000</b> <ul style="list-style-type: none"> <li>• Acrylic Dome</li> <li>• SunCurve light directing device</li> <li>• Counter flashing assembly</li> <li>• Top collar (16"/.41m)</li> <li>• Hardware bag</li> </ul> 	—
<b>TTK 022</b> <ul style="list-style-type: none"> <li>• 24"/.61m Rigid tunnel</li> <li>• (2) 16"/.41m Rigid elbows</li> <li>• Tape for tunnel joints</li> <li>• Hardware bag</li> </ul> 	—
<b>TTC 022 0002</b> <ul style="list-style-type: none"> <li>• Ceiling adapter assembly with prismatic diffuser</li> <li>• Tape for tunnel joints</li> <li>• Gasket material for diffuser</li> <li>• Hardware bag</li> <li>• Suspension wire</li> </ul> 	(minimum of 2)



## General Arrangement Layout

	VELUX 1418 Evans Pond Road Greenwood, SC 29649 1-800-88-VELUX www.VELUXUSA.com	Name JDH	Date Aug 2018
	Sky-Product Management	Checked by CJ	Aug 2018
Commercial SUN TUNNEL Skylight TCC 022 w/ (2)TTK 022 in a 90° configuration and TTC 022		Drawing No. TCC 022-01-0818	

This drawing is an instrument of service and is provided for informational use only.