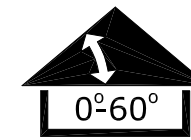
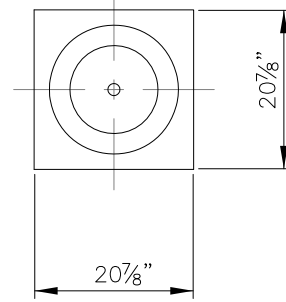


General Notes

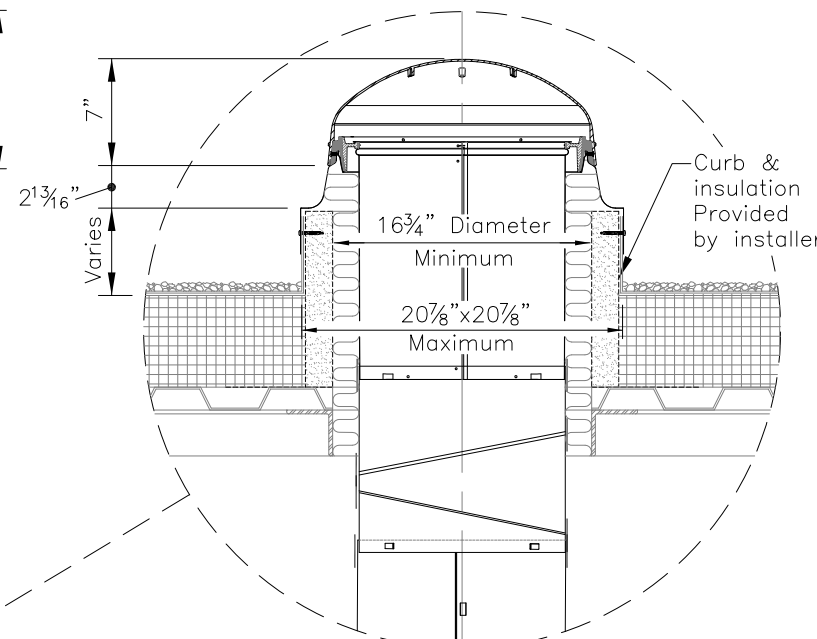
1. This drawing emphasizes the TCC curb flashed VELUX SUN TUNNEL Skylight. It illustrates a general arrangement layout (plus recommendations) for a VELUX TCC installation in a 0–60 degree roof pitch application utilizing either a suspended acoustical tile or grid ceiling installation.
2. The architectural/structural design and specifications for the inclusion of a tubular daylighting device, such as the VELUX TCC, in any roofing/ceiling application is determined and provided by others. The design criteria includes, but is not limited to design loads, structural configurations, structural framing member sizes and material, architectural finishes and integration with the roofing/ceiling systems of the building. VELUX assumes no responsibility or liability in the design, construction and performance of a building structure by others.
3. Dimensions shown are nominal, unless indicated otherwise.
4. Product specific dimensions are referenced in the TCC Product Data Sheet documentation.



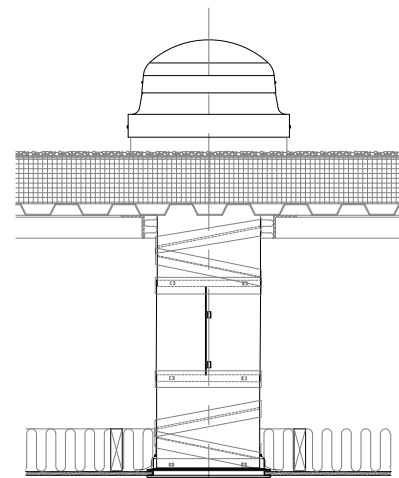
TCC 014 Components	Quantity
TCC 014 0000 <ul style="list-style-type: none"> Acrylic Dome Counter flashing assembly Top collar (16"/.41m) Hardware bag <ul style="list-style-type: none"> Option <ul style="list-style-type: none"> TCC 014 1000 – Impact Polycarbonate dome 	
TTK 014 <ul style="list-style-type: none"> 24"/.61m Rigid tunnel (2) 12"/.30m Rigid elbows Tape for tunnel joints Hardware bag 	
THC 014 0002 <ul style="list-style-type: none"> Ceiling ring assembly with prismatic diffuser Tape for tunnel joints Gasket material for diffuser Hardware bag <ul style="list-style-type: none"> Options <ul style="list-style-type: none"> THC 014 0000 – Frosted diffuser THC 014 0003 – Fresnel diffuser 	



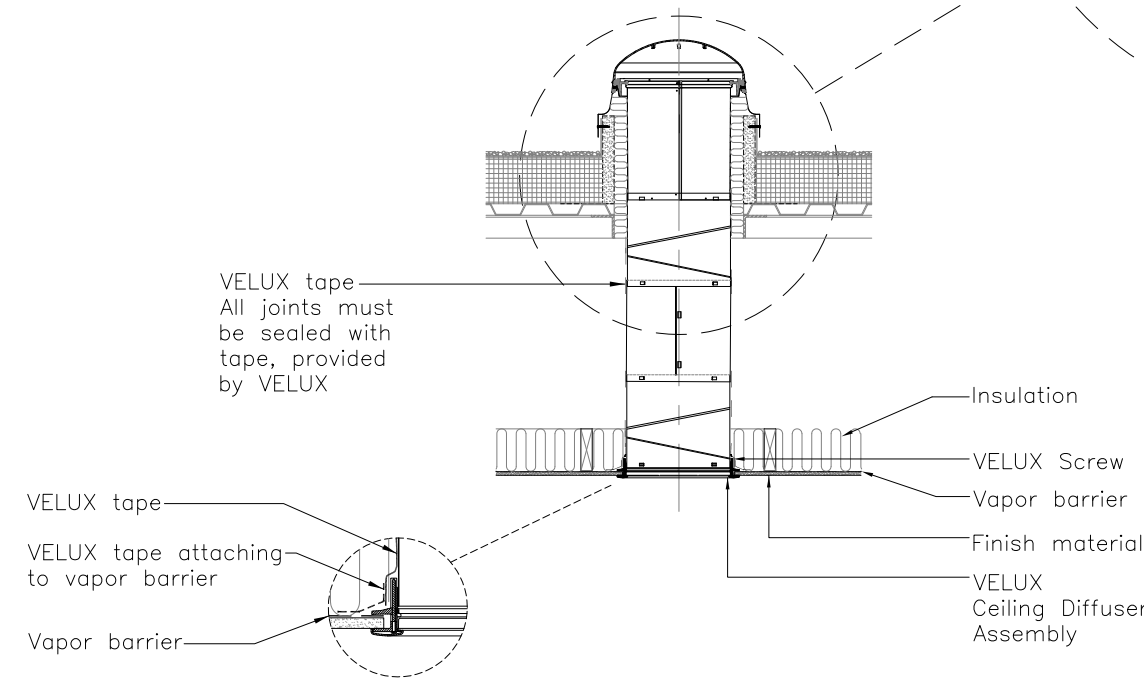
Plan



2:1

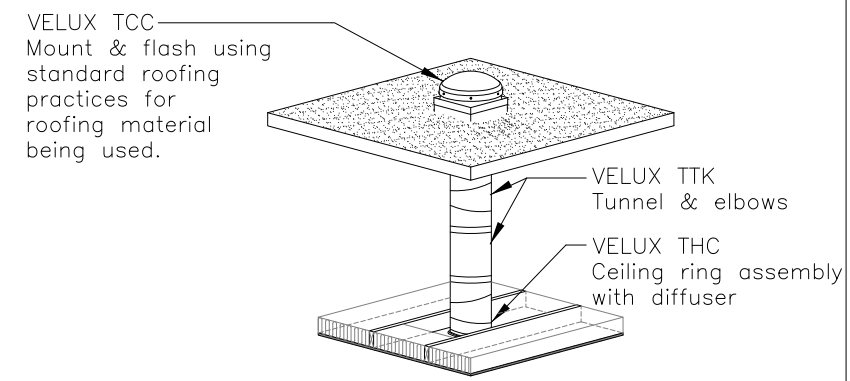


Elevation



Cross Section

3:1



General Arrangement Layout

	VELUX 1418 Evans Pond Road Greenwood, SC 29649 1-800-88-VELUX www.VELUXUSA.com	Name JDH	Date July 2015
	Sky-Product Management	Checked by JL,CJ	July 2015
Commercial SUN TUNNEL Skylight TCC 014 w/ TTK 014, THC 014 (TCC 014 0000TH/TCC 014 1000TH)		Drawing No. TCC 014-02-0715	

This drawing is an instrument of service and is provided for informational use only.