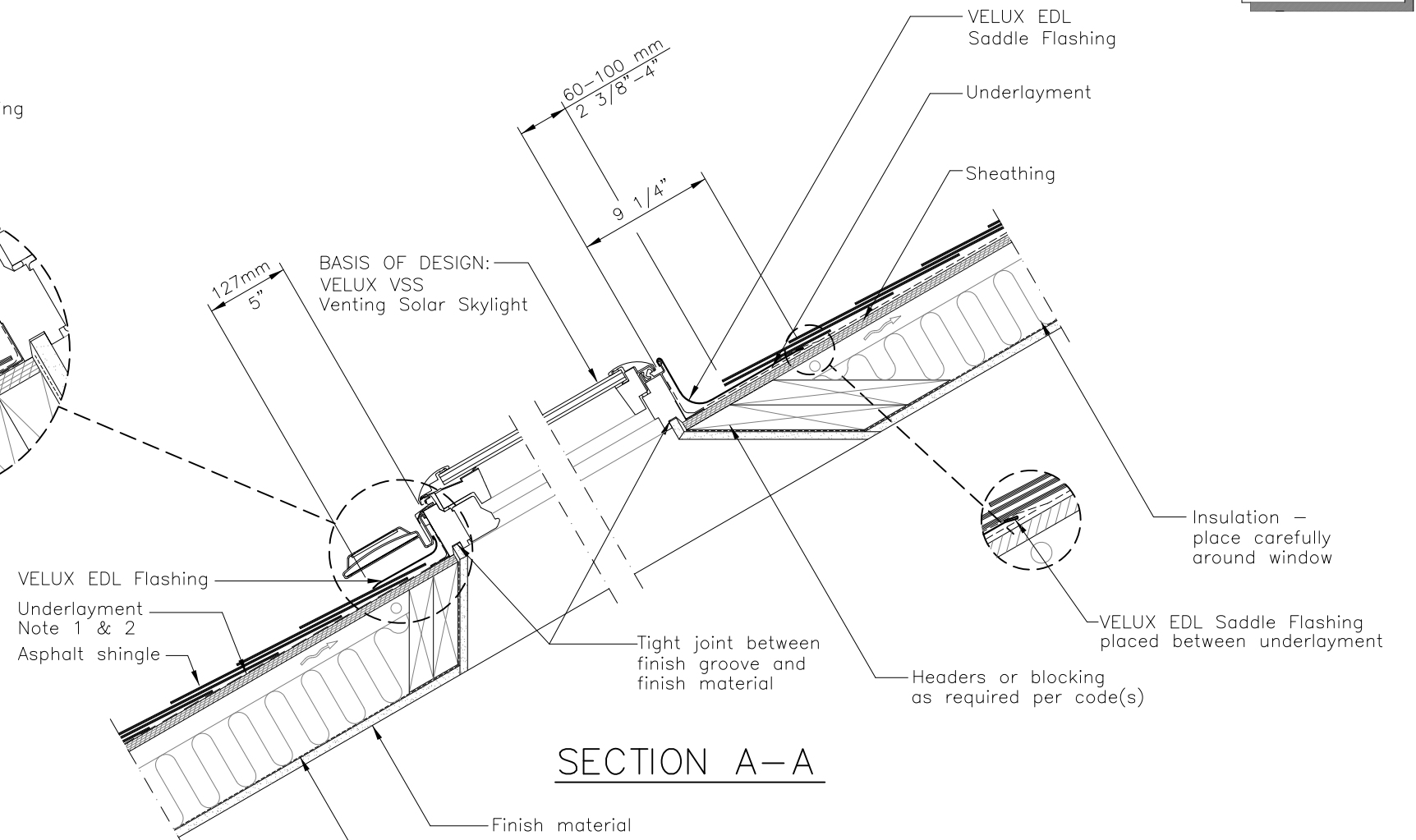
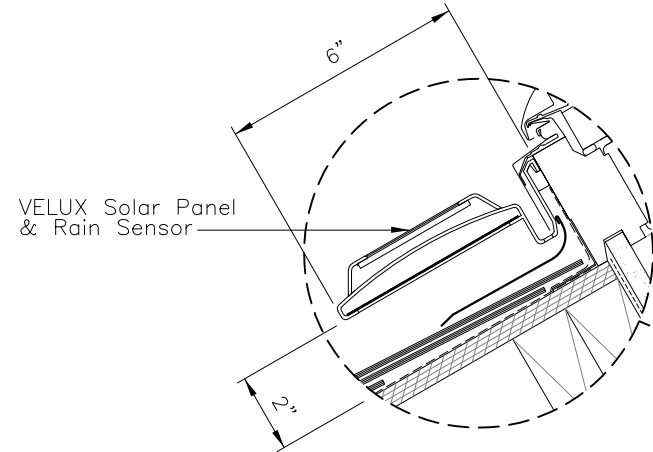
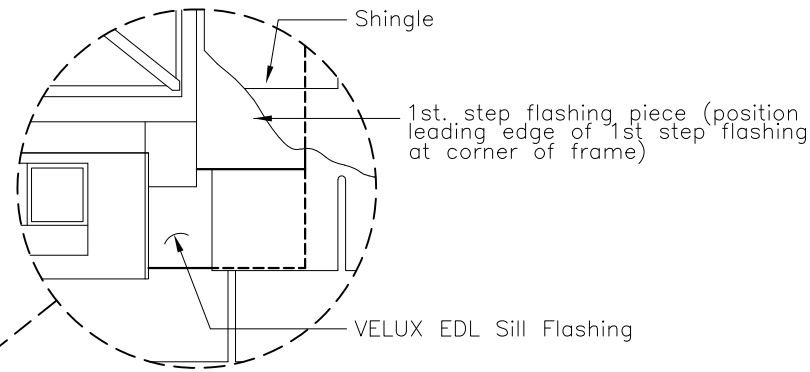
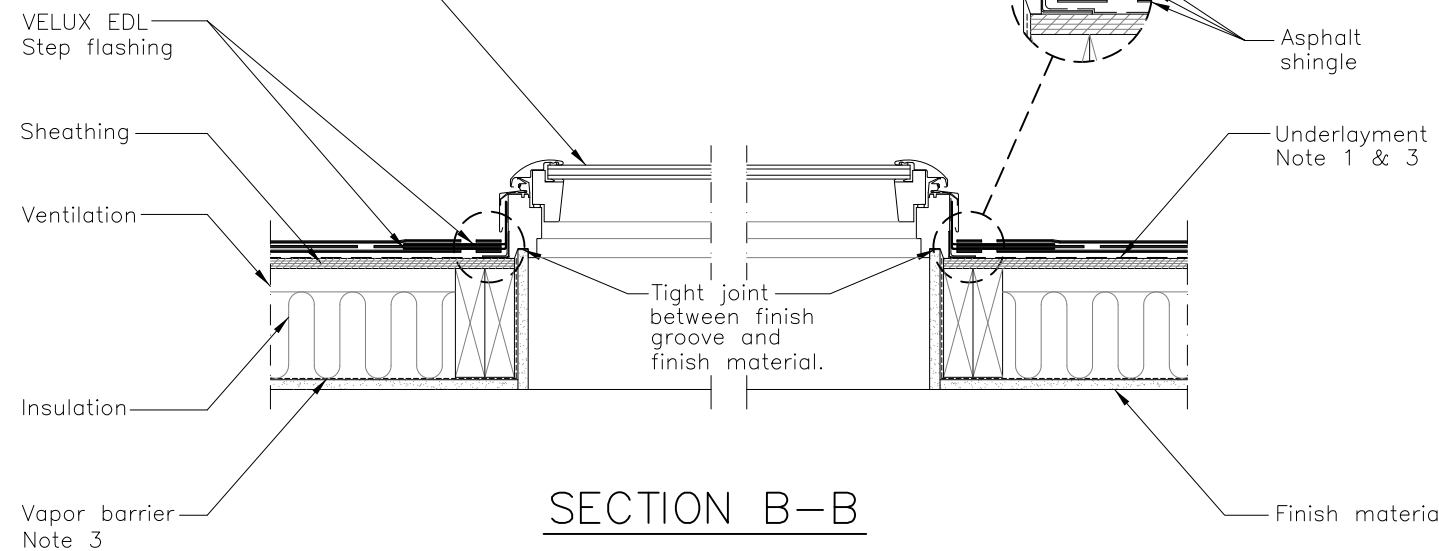


**ELEVATION**



**SECTION A-A**


BASIS OF DESIGN:  
VELUX VSS  
Venting Solar Skylight



**SECTION B-B**

**GENERAL NOTES**

1. Wrap frame in ZOZ 216 adhesive underlayment provided with VELUX flashing.
2. Underlayment to be folded up against all sides of frame.
3. Vapor barrier should be used to avoid moisture.

 Sky-Product Management	VELUX 1418 Evans Pond Road Greenwood, SC 29649 1-800-88-VELUX www.VELUXUSA.com	Name JDH Date July 2020
	VSS-Residential/Commercial Roof Section (Cathedral Ceiling with Asphalt Shingles)	Checked by WQ, JL July 2020
Drawing No. VSS-01-0720		VELUX is a registered trademark

This drawing is an instrument of service and is provided for informational use only.