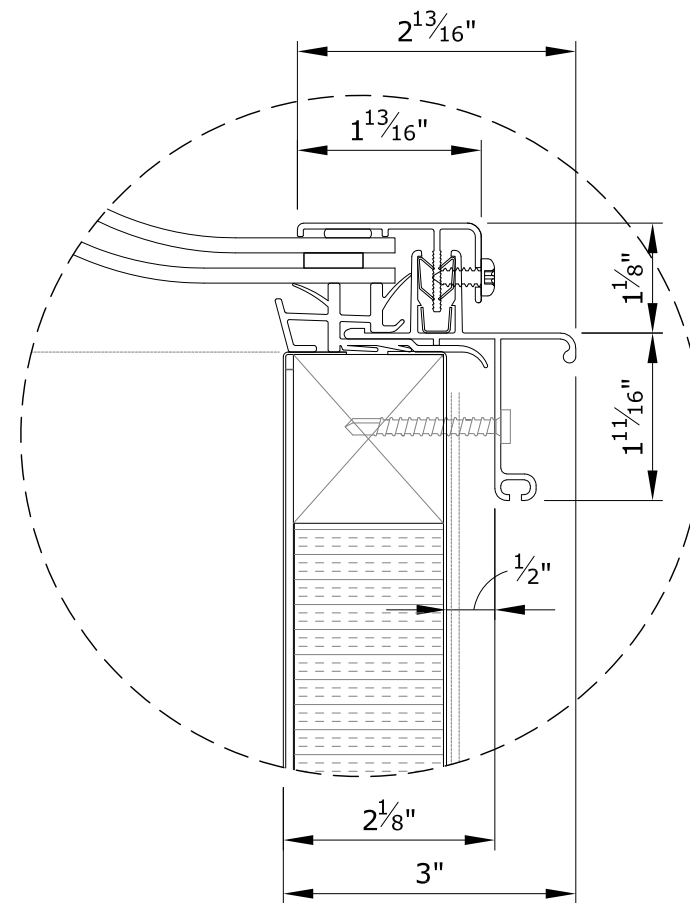
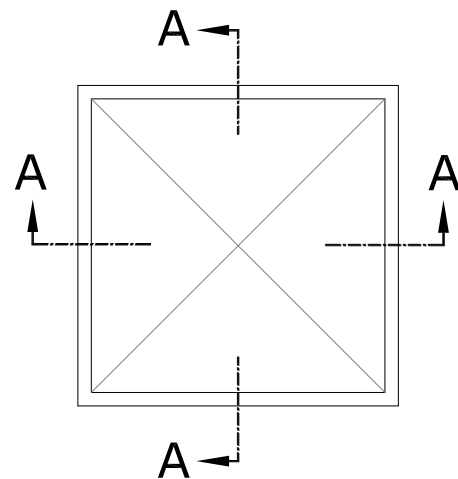


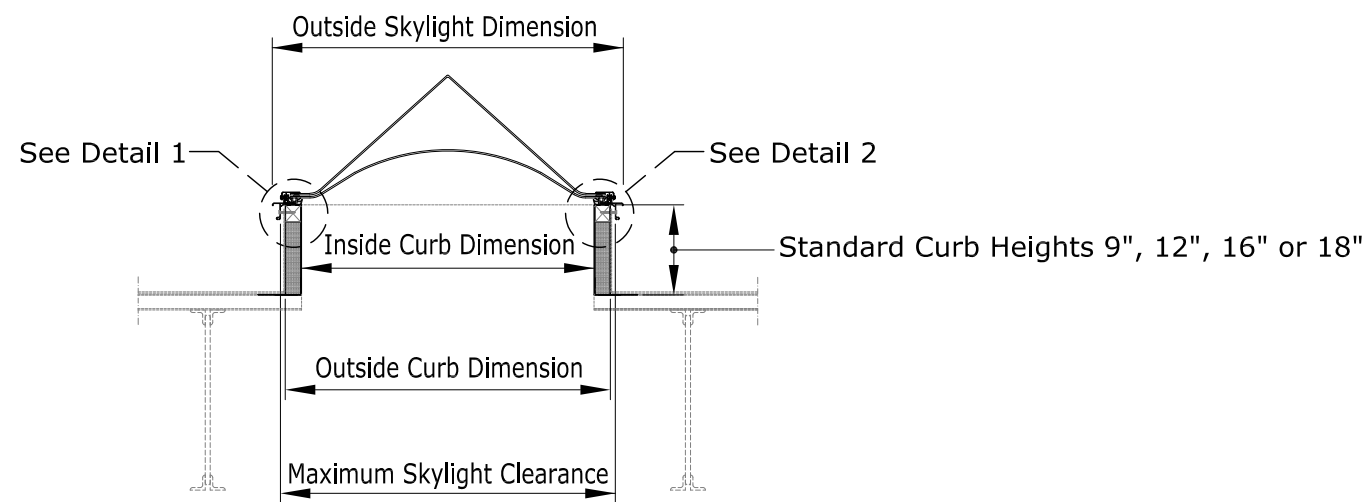
DETAIL 1



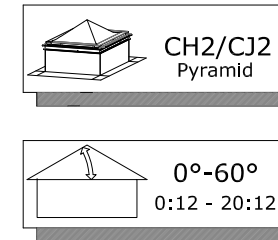
DETAIL 2



Plan



Section A-A



Special Sizes (available in 1/4" increments)	
Minimum size :	14"x14" (Inside curb) All Dome Types
Maximum size :	72"x72" (Inside curb) All Dome Types with the exception of Prismatic Domes, which are 60"x60" (Inside curb)

Double Dome Options	
Material:	
● IMA	● Acrylic
Outer Dome:	Inner Dome:
● Smooth Clear	● Prismatic White
● Smooth White	● Prismatic Clear
● Smooth Bronze (Acrylic)	● Smooth White
	● Smooth Clear

Frame Finish Options	
● Mill Finish (CH2)	● Neutral Gray Powder Coat (CJ2)

Curb Options	
Standard Curb Types	
● CCA3 (Steel, Double Wall Insulated, 18 Ga. & 14 Ga.)	
● CCA6 (Steel, Single Wall Un-insulated, 18 Ga. & 14 Ga.)	
● CCAM (Aluminum, Double Wall Insulated)	
● CCAN (Aluminum, Single Wall Insulated)	
Standard Curb Heights	
● 9"	
● 12"	
● 16"	
● 18" (Available for CCA3 & CCA6 Curb Types only)	

General Notes

1. VELUX recommends protecting all skylight openings and skylights in accordance with OSHA fall protection regulations. VELUX offers skylight fall protection accessories that are tested to withstand a minimum 400 pound static load. VELUX recommends that the building owner or manager restrict roof access only to personnel who have been sufficiently cautioned as to the location of skylights, advised that there exists a risk of falling through the skylights, and warned not to sit, step or walk on the skylights. Building owner or manager should provide fall protection around skylight(s) in accordance with OSHA regulations.
2. This drawing emphasizes the VELUX CH2 Special Dome Skylight. It illustrates a general arrangement layout (plus recommendations) for a VELUX CH2 installation in a 0-60 degree roof pitch application. The CH2 skylight installs directly on site built or prefabricated curbs.
3. The architectural/structural design and specifications for the inclusion of a commercial skylight, such as the VELUX CH2, in any roofing/ceiling application is determined and provided by others. The design criteria includes, but is not limited to design loads, structural configurations, structural framing member sizes and material, architectural finishes and integration with the roofing/ceiling systems of the building. VELUX recommends compliance by all designers and installers with all local and industry specific building codes and guidelines. VELUX assumes no responsibility or liability in the design, construction and performance of a building structure by others.
4. Model CH2 Frame is neutral grey powder coat finish, Model CJ2 Frame is mill finish.

This drawing is an instrument of service and is provided for informational use only.

<p>Sky-Global Product Management</p>	<p>VELUX 1418 Evans Pond Road Greenwood, SC 29649 1-800-88-VELUX www.VELUXUSA.com</p>
	<p>Traditional Double Dome Pyramid Skylight CH2/CJ2</p>